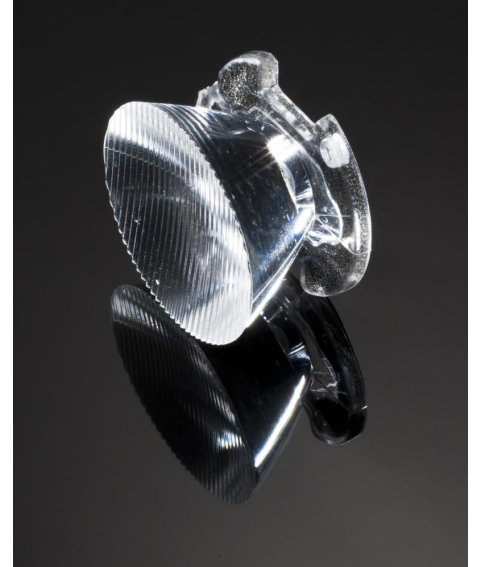


DETAILS

Product Number	CA12066_EMILY-O
Family	Emily
Type	Assembly
Color	clear
Diameter	26 mm
Height	15 mm
Style	round
Optic Material	PMMA
Holder Material	
Fastening	pin, tape
Status	production ready
ROHS Compliant	Yes
Date Updated	9/06/2016



OPTICAL PROPERTIES

LED	Viewing	Light	Effi-		
	Angle	Beam	ciency	cd/lm	Connector
XM-L	47+13 deg	Oval	90 %	-	-
XM-L HVW	sim: 12+48	Oval	86 %	-	-
XM-L2	47+14 deg	Oval	86 %	3.600	-
XP-L	46+14 deg	Oval	86 %	3.700	-
XP-L HI	48+9 deg	Oval	86 %	5.700	-
LUXEON Rebel ES	44+10 deg	Oval	90 %	-	-
LUXEON A	44+10 deg	Oval	-	-	-
Oslon Black Flat	sim: 47+9	Oval	sim: 94 %	sim: 6.700	-
Oslon Black	sim: 11+44	Oval	-	sim: 5.100	-
Z8Y22P	47+11 deg	Oval	92 %	3.700	-

D

C

B

A

4

4

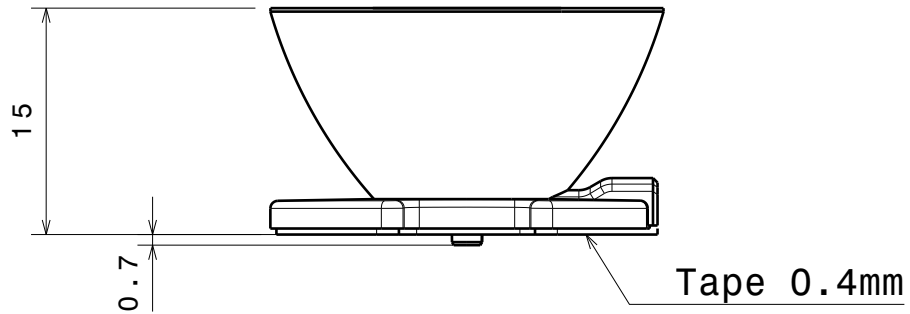
Beam direction Emily-0-90

Beam direction Emily-0

Bottom view

3

3



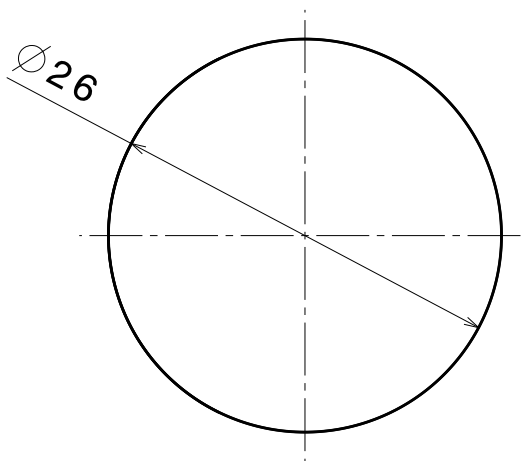
Front view

2

2

Material:
 Lens: PMMA
 Tape: PU Foam with adhesive

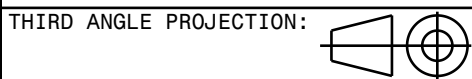
Part no.s:
 CA12062_Emily-SS
 CA12064_Emily-M
 CA12066_Emily-0
 CA12068_Emily-0-90
 CA12070_Emily-M2



Top view

Tolerances if not otherwise shown
 According to DIN ISO 2768-1
 Linear measures:
 up to 30mm class M, otherwise class C
 According to DIN ISO 2768-2
 Form and position: class L

LEDiL LediL Oy
 Salorankatu 10
 FIN 24240 SALO
 Finland



DRAWING TITLE
Datasheet Emily-RE-ES series lens

This drawing is the property of LEDiL Oy. It may not be reproduced, copied or communicated without a written agreement with LEDiL Oy.

SIZE	PART NUMBER
A4	

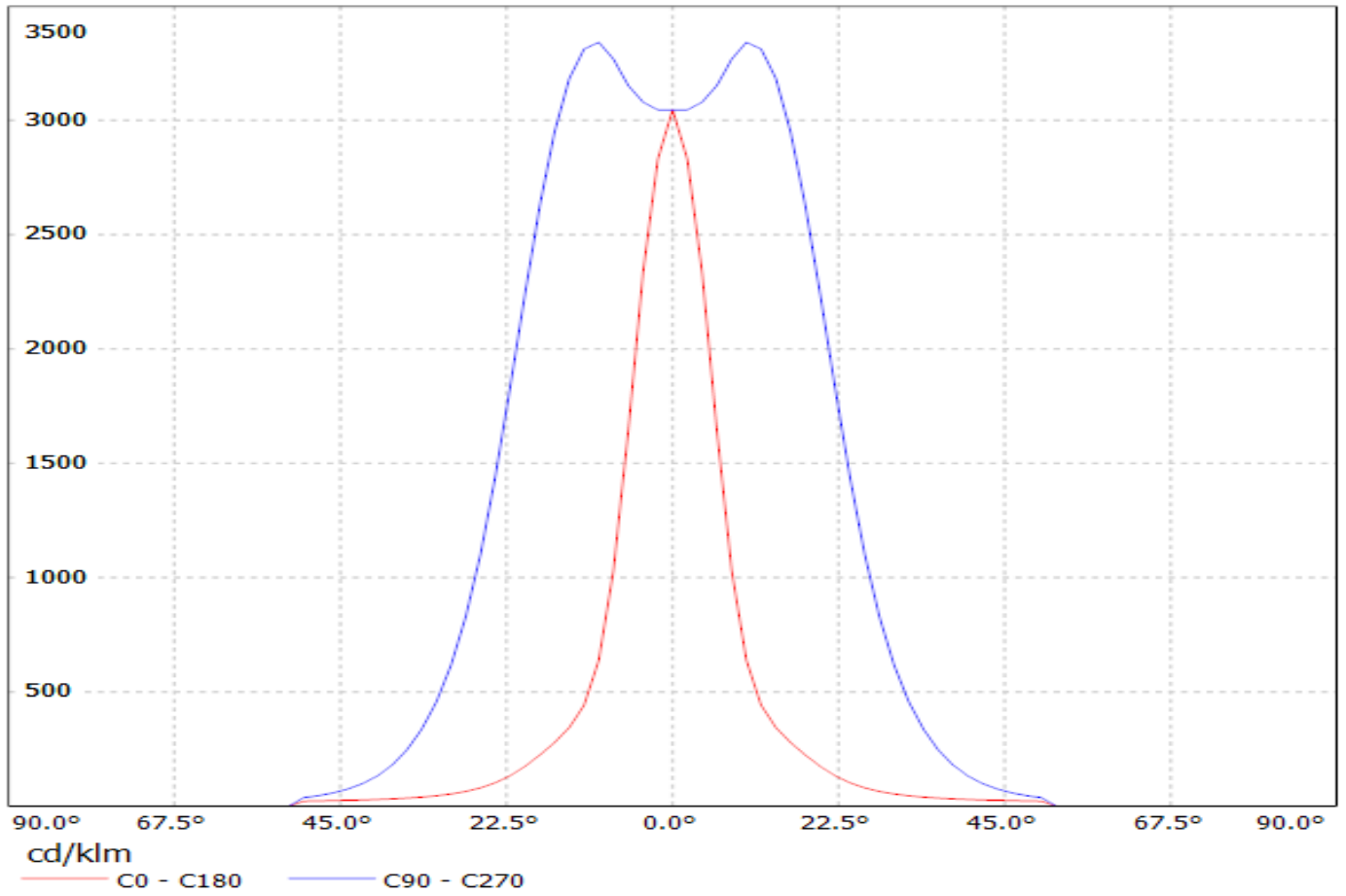
SCALE	2:1	WEIGHT		SHEET	1/1
-------	-----	--------	--	-------	-----

D

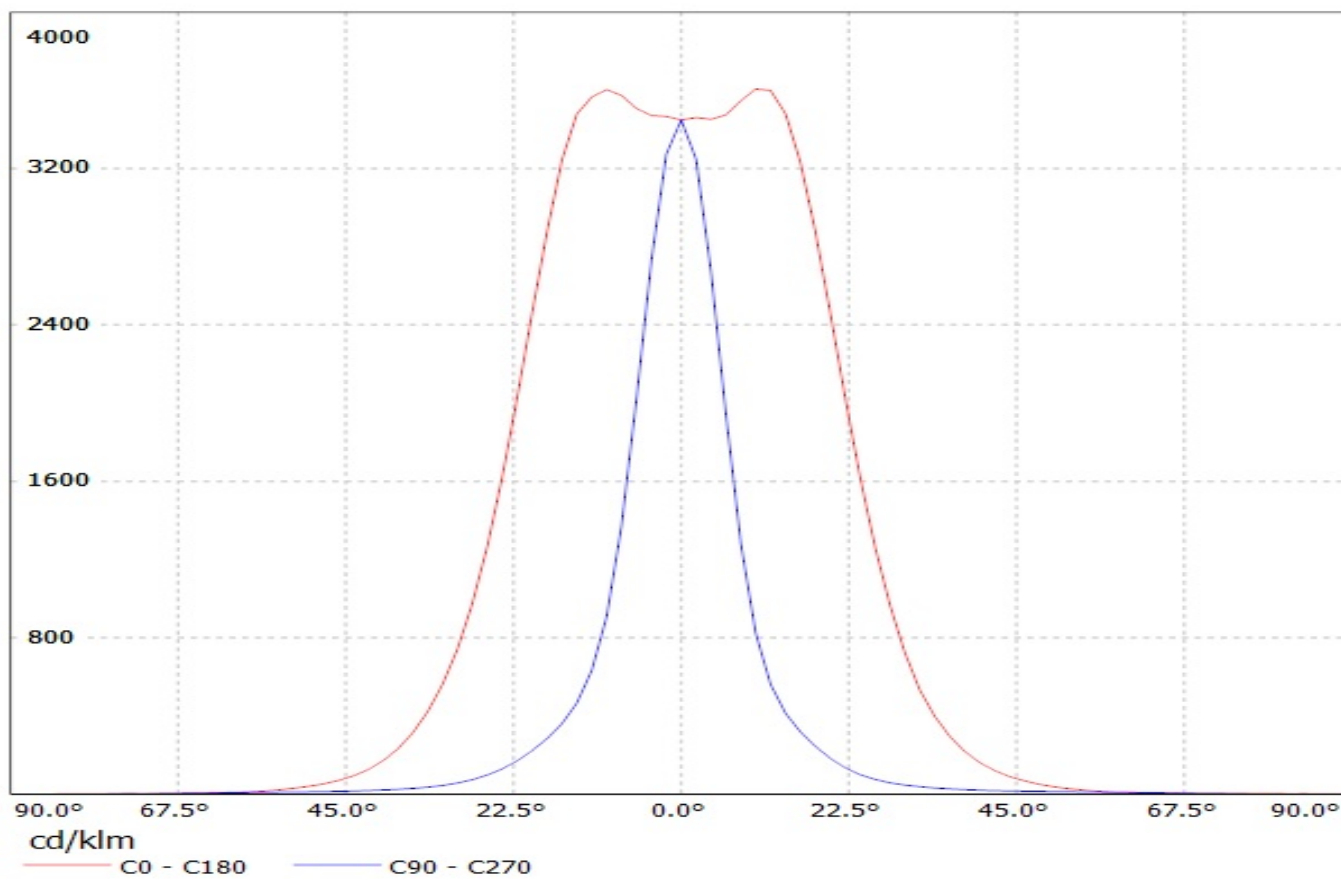
A

1

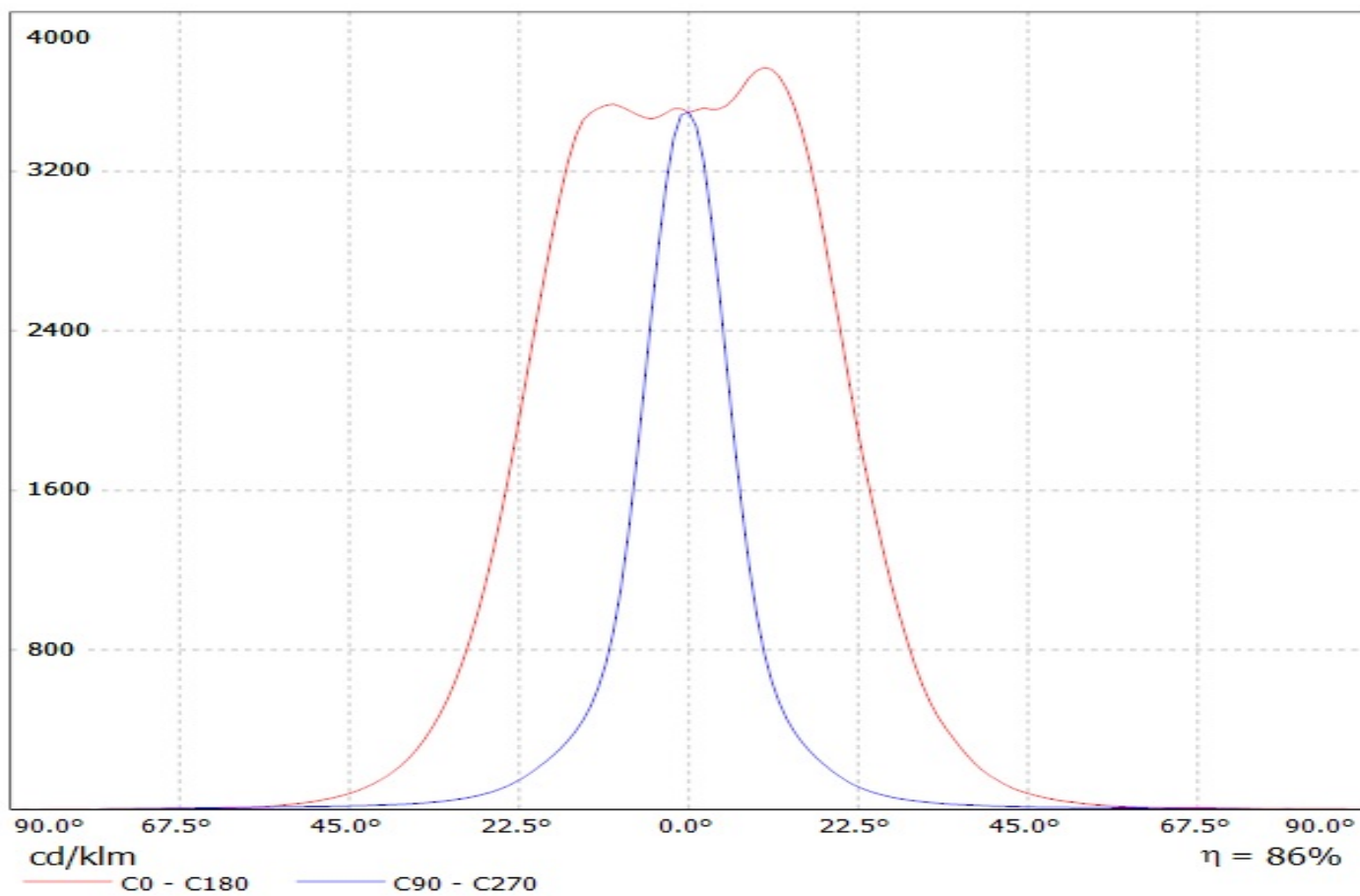
Luminaire: Ledil Oy CA12066_Emily-O-Tape-XM CA12066_Emily-O-Tape-XM
Lamps: 1 x Cree XM-L



Luminaire: LEDil Oy CA12066_EMILY-O_(XM-L2) Efficiency=86%
Lamps: 1 x Cree XM-L2 (100lm @ 250mA) P=0.7W I=250mA



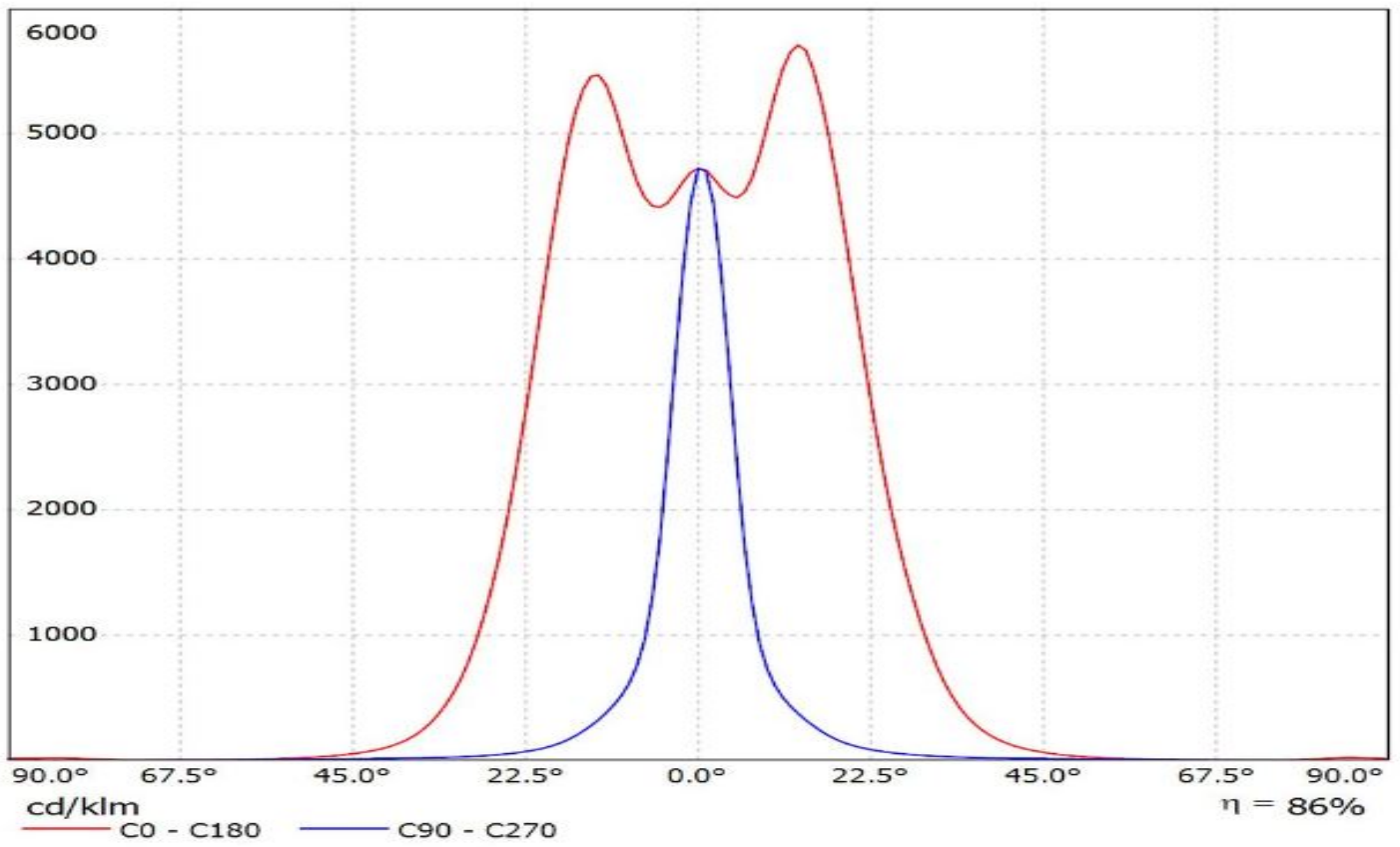
Luminaire: LEDil Oy CA12066_EMILY-O_(XP-L)
Lamps: 1 x Cree XP-L (124.35lm @ 250mA) P=0.7W I=250mA



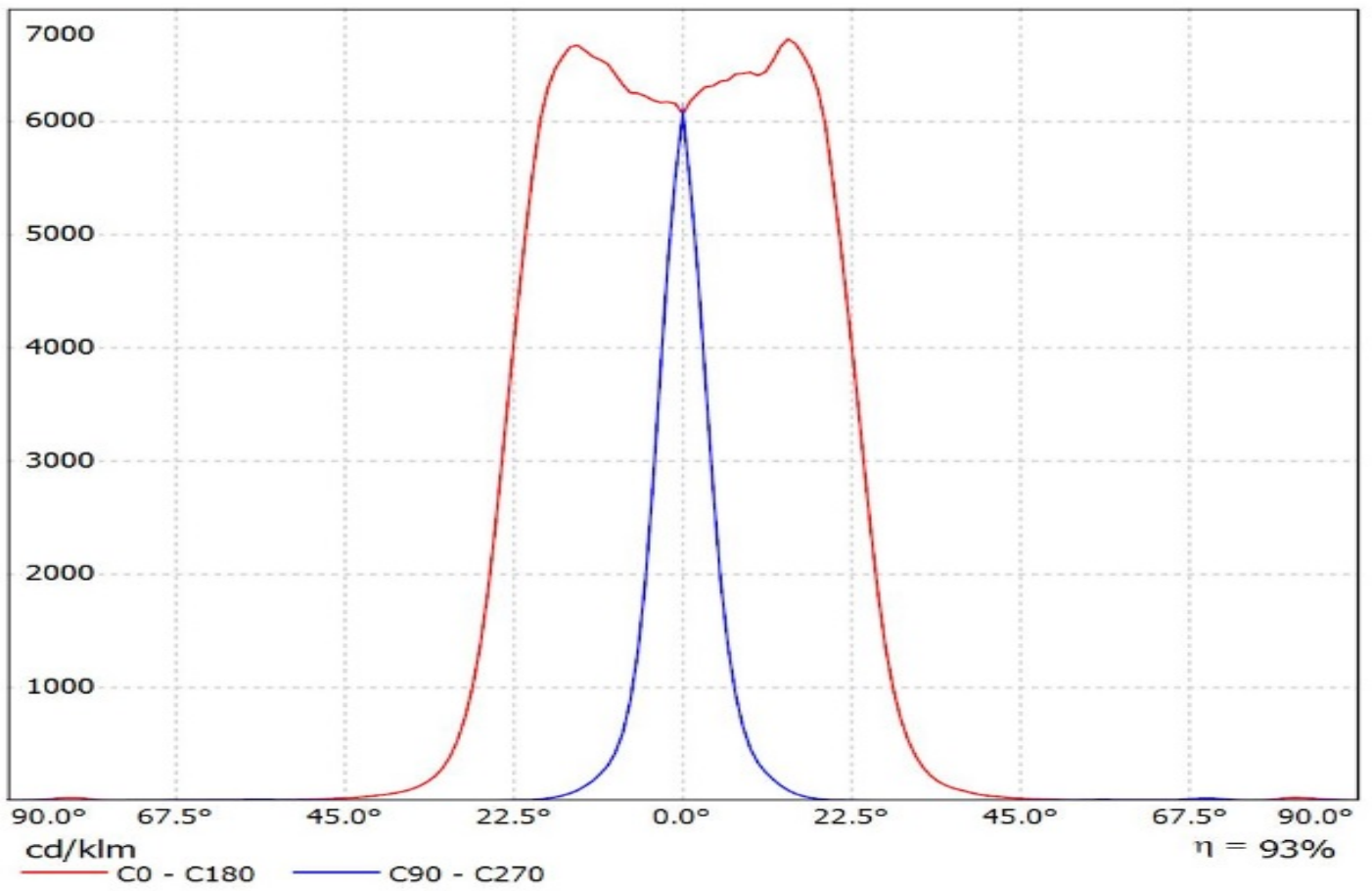
Ledil CA12066_EMILY-O_(XP-L_HI) / LDC (Linear)

Luminaire: Ledil CA12066_EMILY-O_(XP-L_HI)

Lamps: 1 x CREE_XP-L_HI_116.971lm@250mA_P=0.75W_I=0.25A

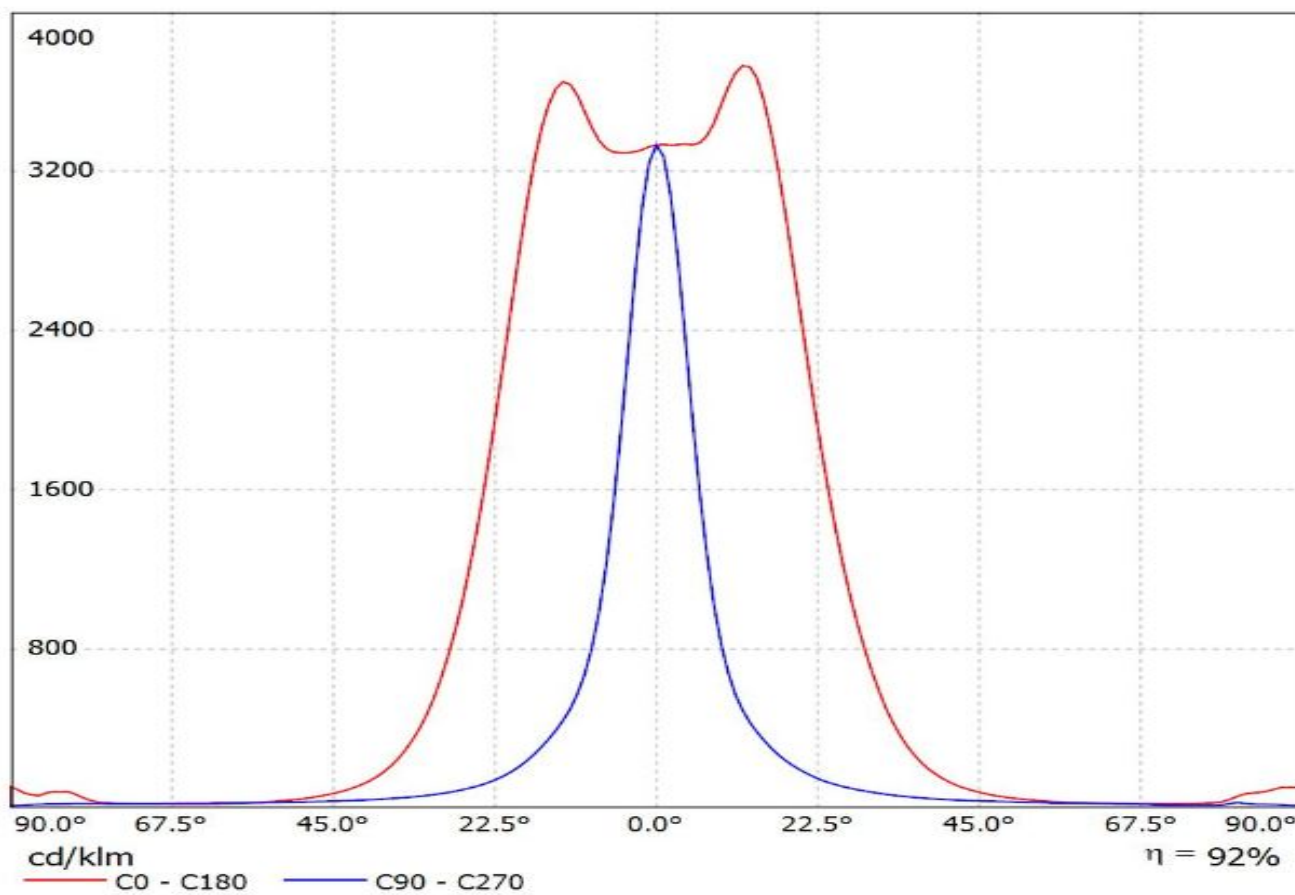


Luminaire: Ledil Oy CA12066_EMILY-O_(Oslon_Black_Flat)_SIMULATED
Lamps: 1 x Osram Oslon Black Flat (LUV HWQP)

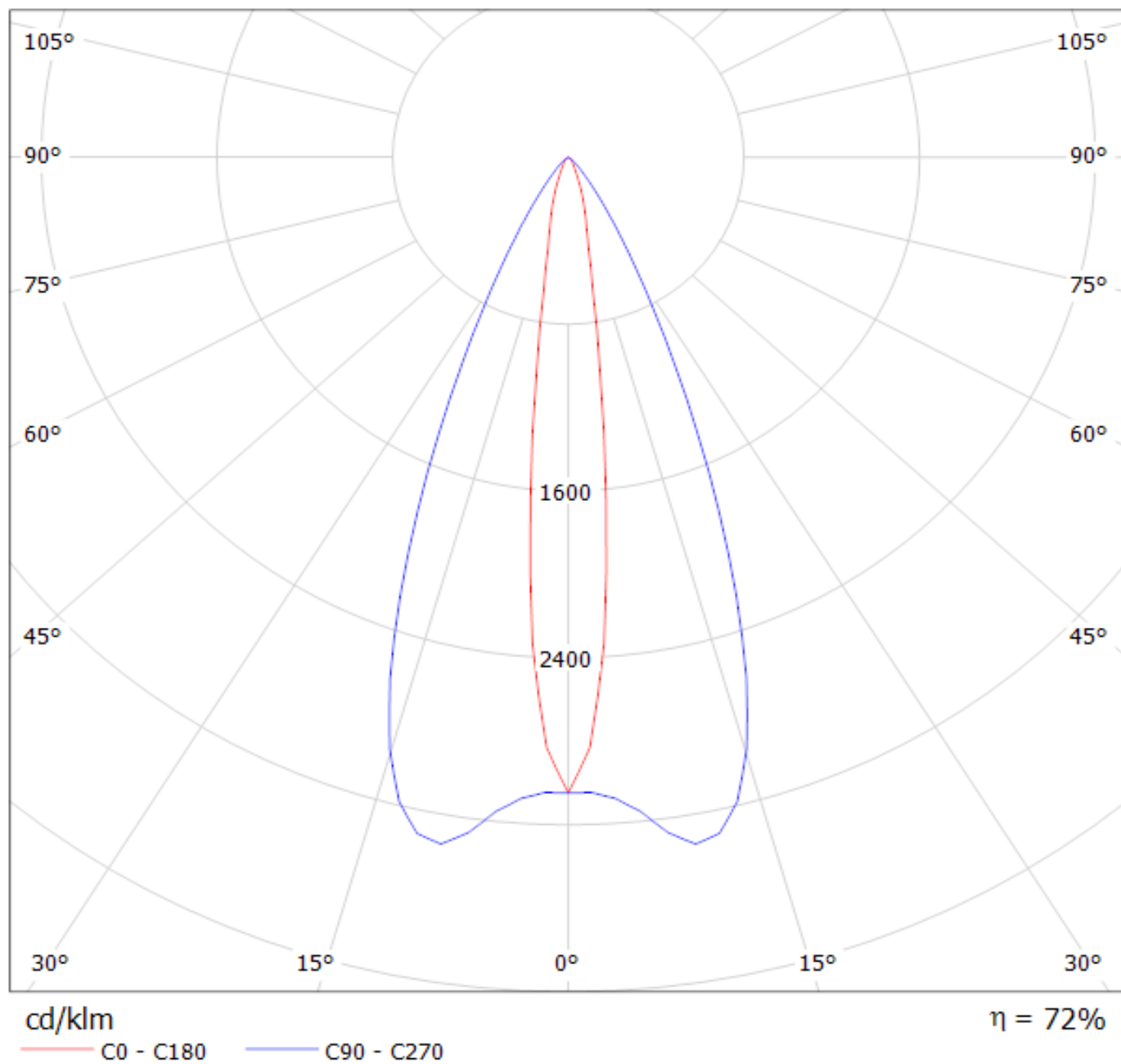


Luminaire: LEDiL Oy CA12066_EMILY-O_(Z8Y22plus)

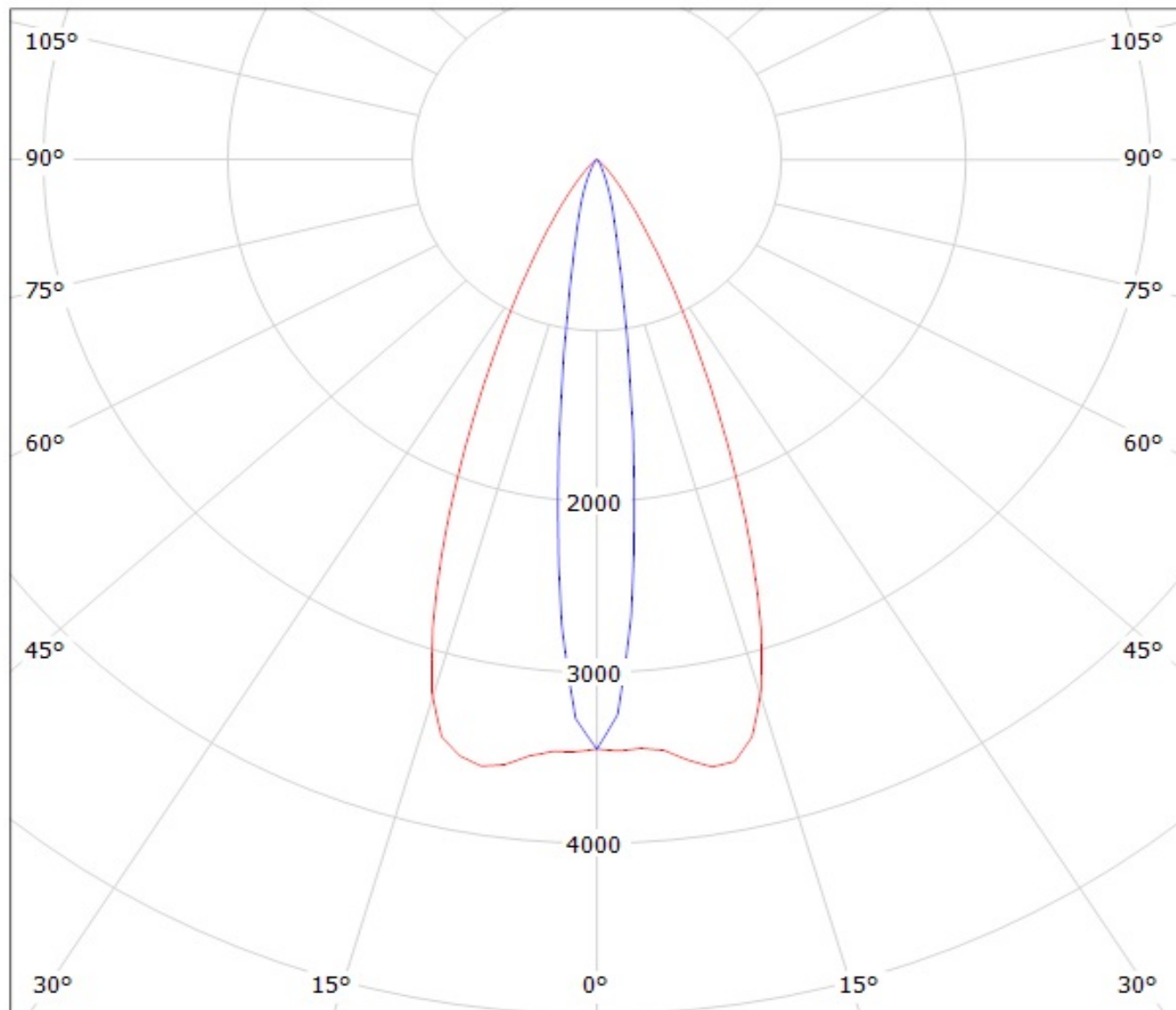
Lamps: 1 x Seoul_Z8Y22plus_(W6E2G)_125.652lm@250mA_P=0.69312W_I=0.250A



Luminaire: Ledil Oy CA12066_Emily-O-Tape-XM CA12066_Emily-O-Tape-XM
Lamps: 1 x Cree XM-L



Luminaire: LEDil Oy CA12066_EMILY-O_(XM-L2) Efficiency=86%
Lamps: 1 x Cree XM-L2 (100lm @ 250mA) P=0.7W I=250mA



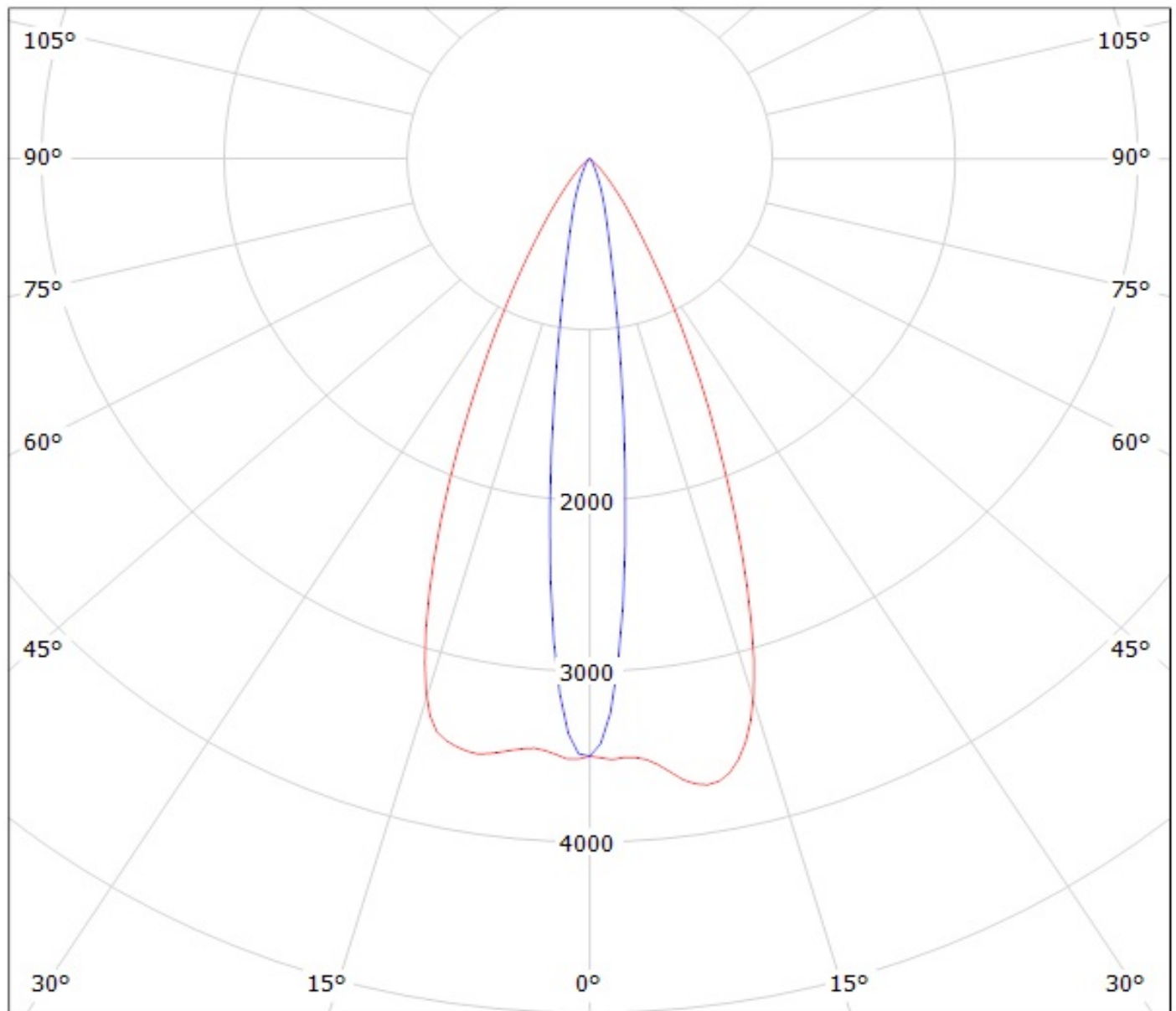
cd/klm

— C0 - C180

— C90 - C270

Luminaire: LEDil Oy CA12066_EMILY-O_(XP-L)

Lamps: 1 x Cree XP-L (124.35lm @ 250mA) P=0.7W I=250mA



cd/klm

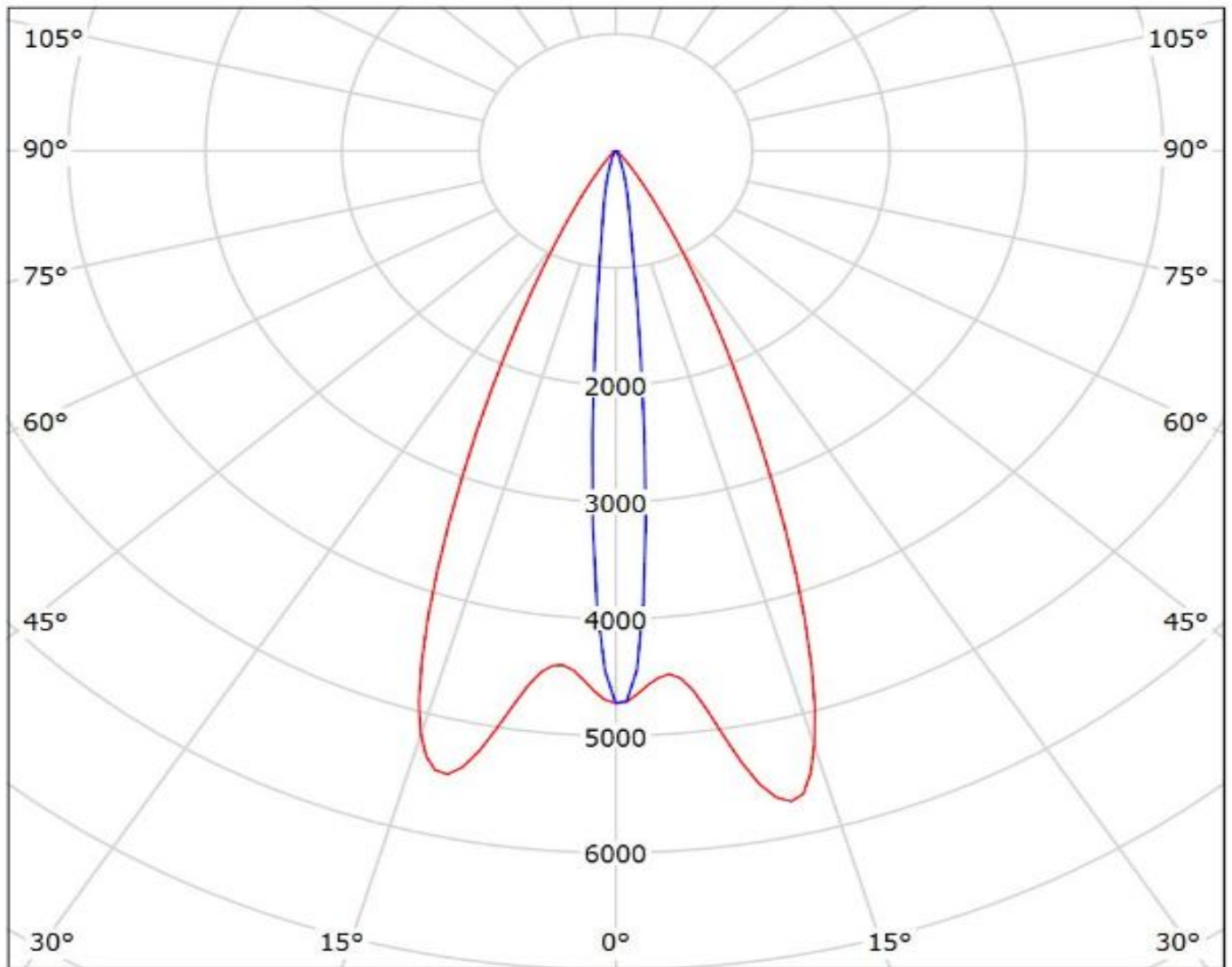
— C0 - C180 — C90 - C270

$\eta = 86\%$

Ledil CA12066_EMILY-O_(XP-L_HI) / LDC (Polar)

Luminaire: Ledil CA12066_EMILY-O_(XP-L_HI)

Lamps: 1 x CREE_XP-L_HI_116.971lm@250mA_P=0.75W_I=0.25A



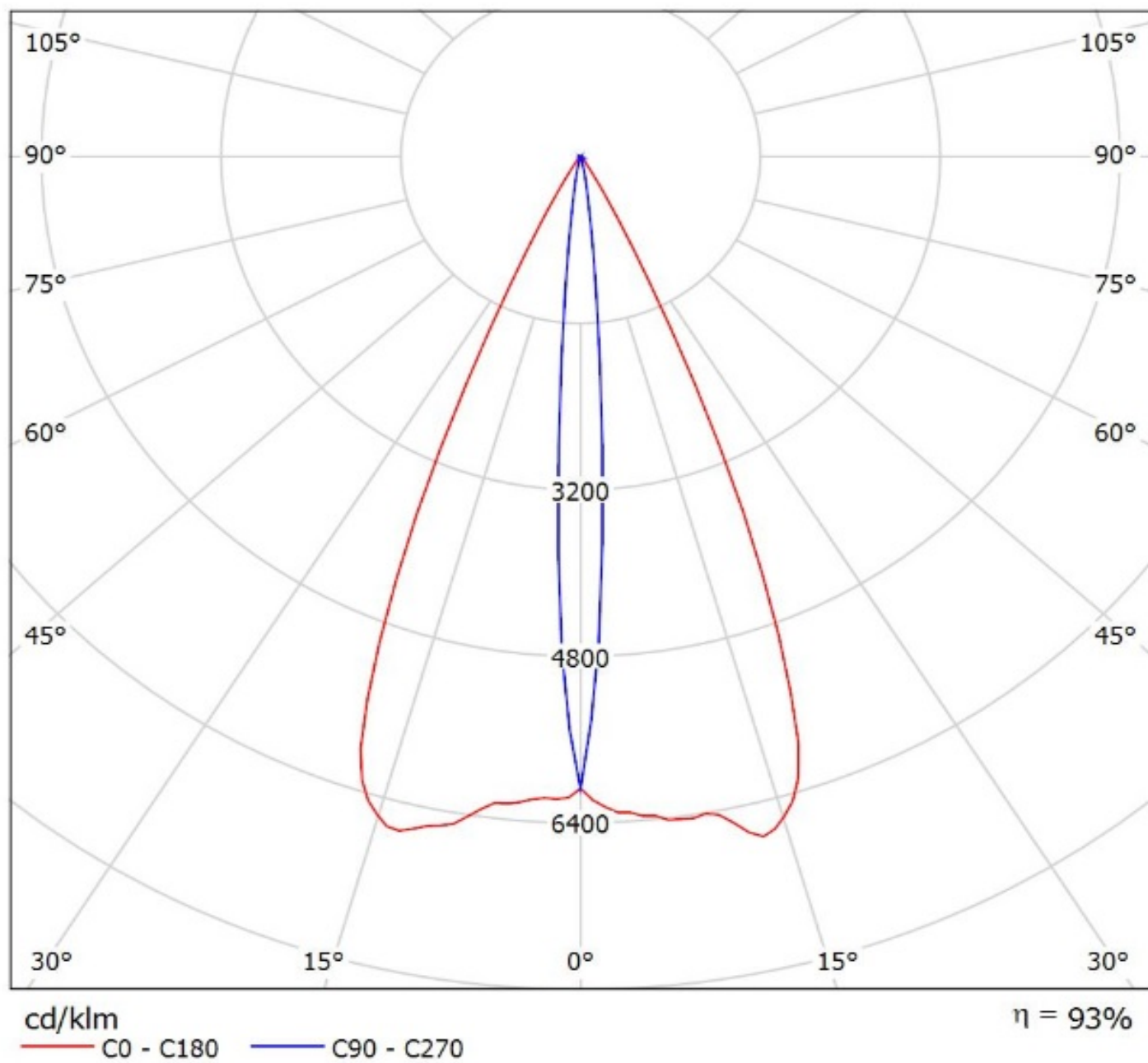
cd/klm

— C0 - C180

— C90 - C270

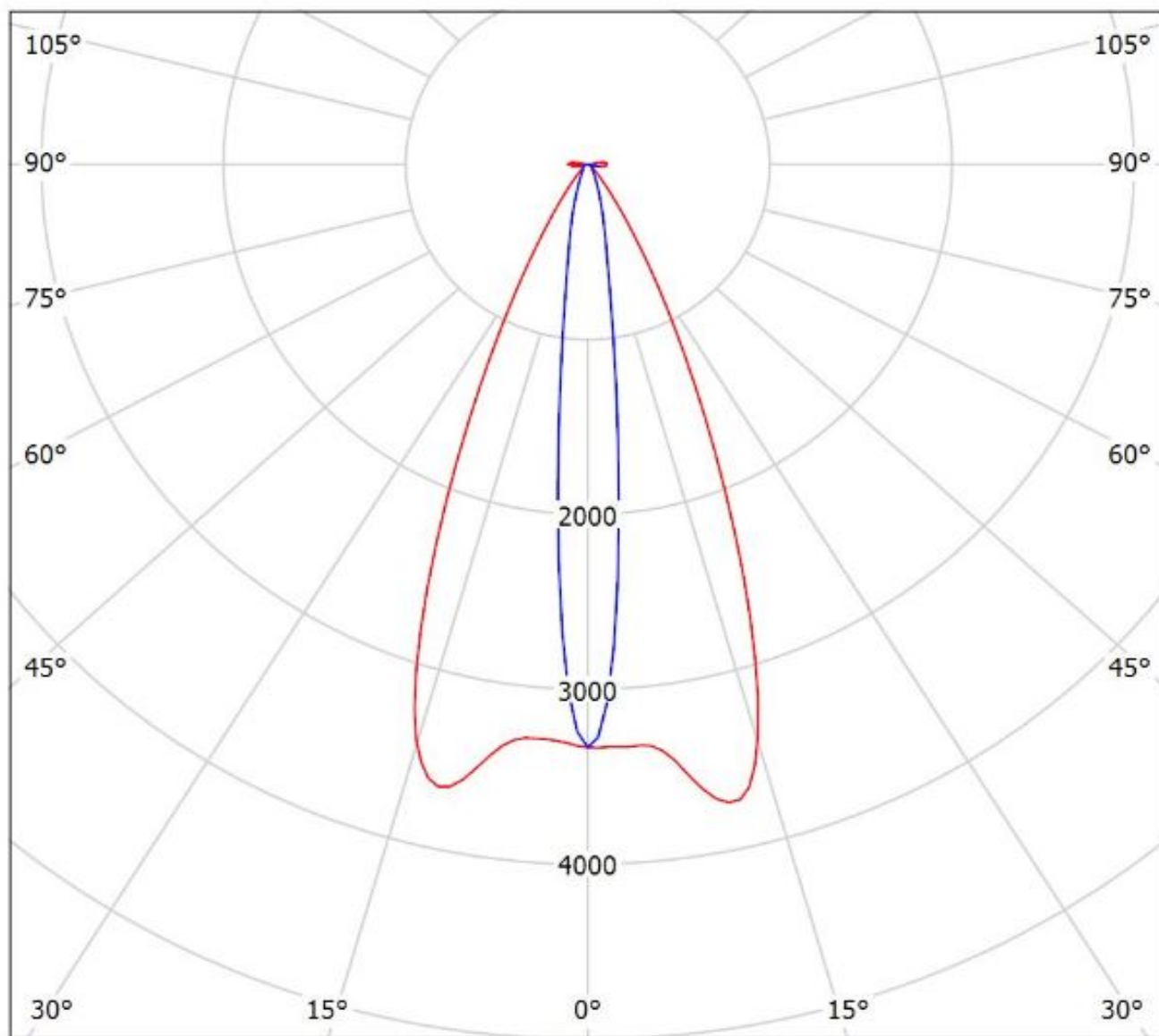
$\eta = 86\%$

Luminaire: Ledil Oy CA12066_EMILY-O_(Oslon_Black_Flat)_SIMULATED
Lamps: 1 x Osram Oslon Black Flat (LUV HWQP)



Luminaire: LEDiL Oy CA12066_EMILY-O_(Z8Y22plus)

Lamps: 1 x Seoul_Z8Y22plus_(W6E2G)_125.652lm@250mA_P=0.69312W_I=0.250A



cd/klm

— C0 - C180 — C90 - C270

$\eta = 92\%$

NOTE: The typical divergence will be changed by different color, chip size and chip position tolerance. The typical total divergence is the full angle measured where the luminous intensity is half of the peak value.